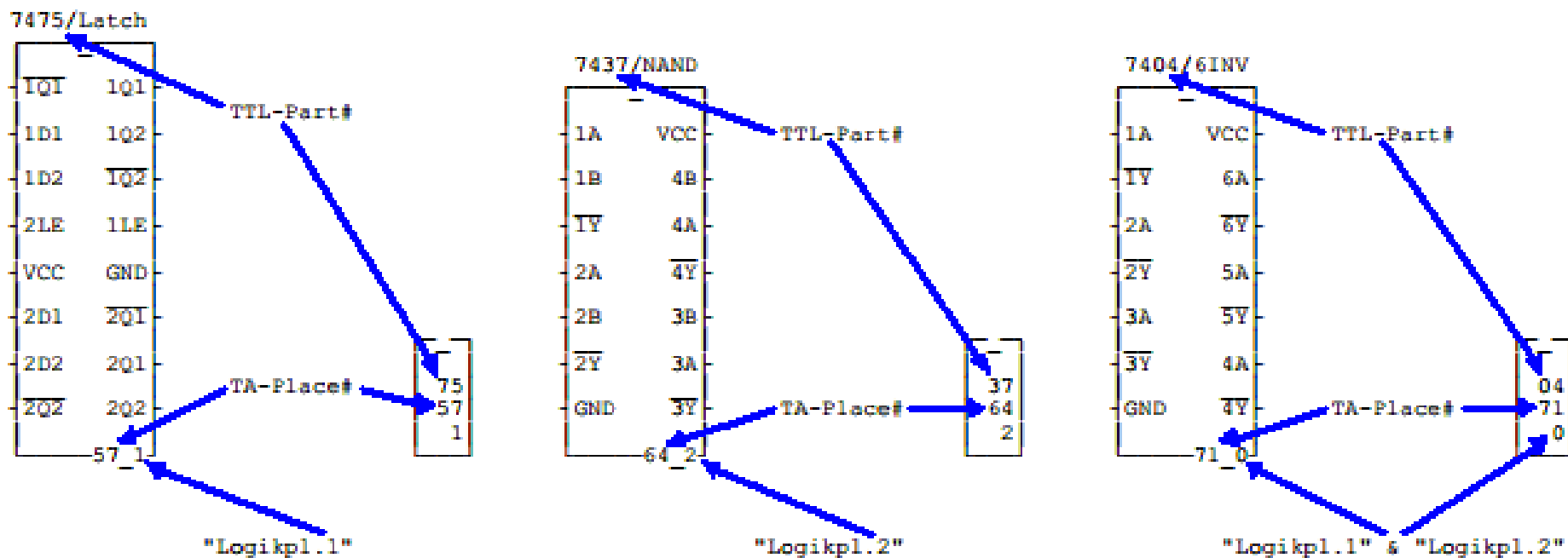


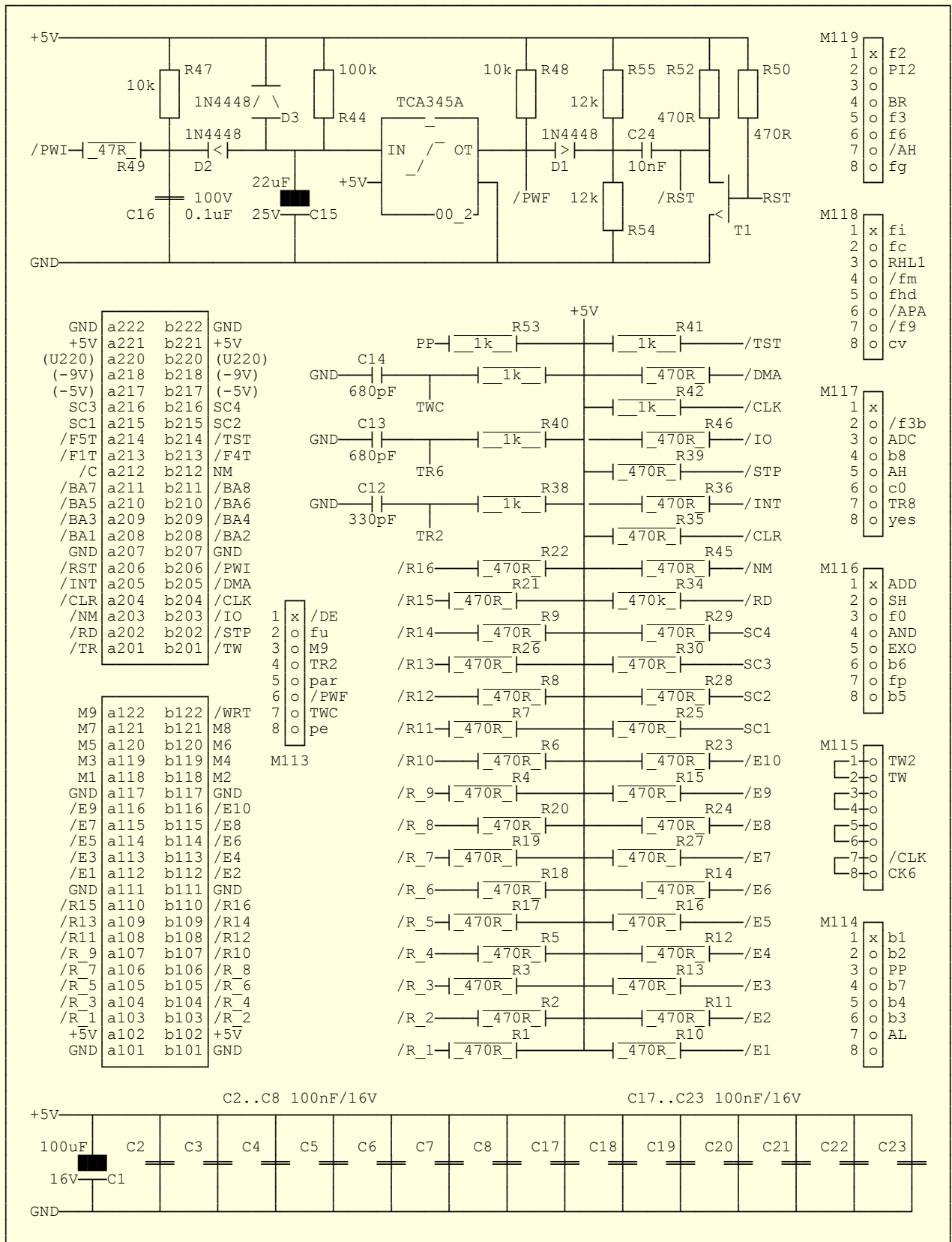
This Circuit Diagramm of the TA1000/TA1069 CPU was a result of comparing the Original TA Circuit Diagram of TA1000/TA1069 CPU Board and an available board for consistency. It considered corrections in original plan made by hand, which have to be checked for correctness. An additionally deviation near diode D1 has been corrected, also. Signals can be searched within this file by a PDF Reader. When doing functional analyses, use the [Scanned orig.TA Circuit Diagram of TA1000/TA1069 CPU](#).



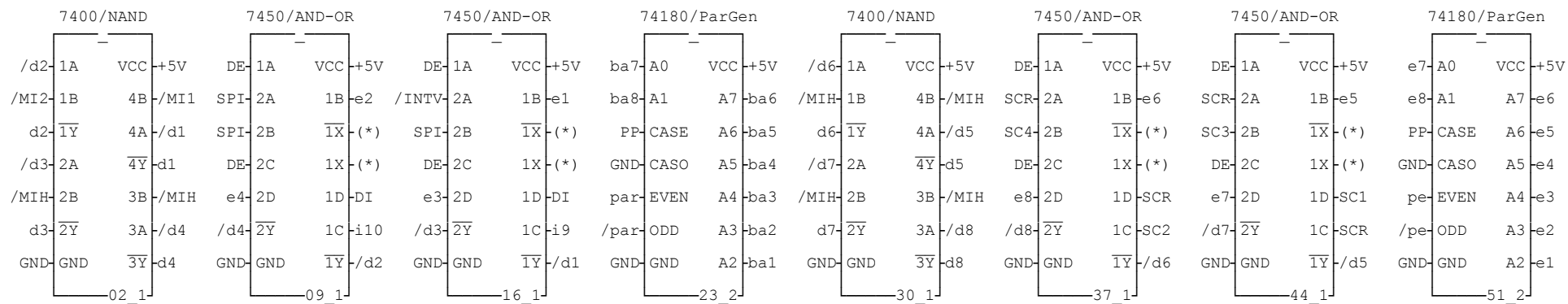
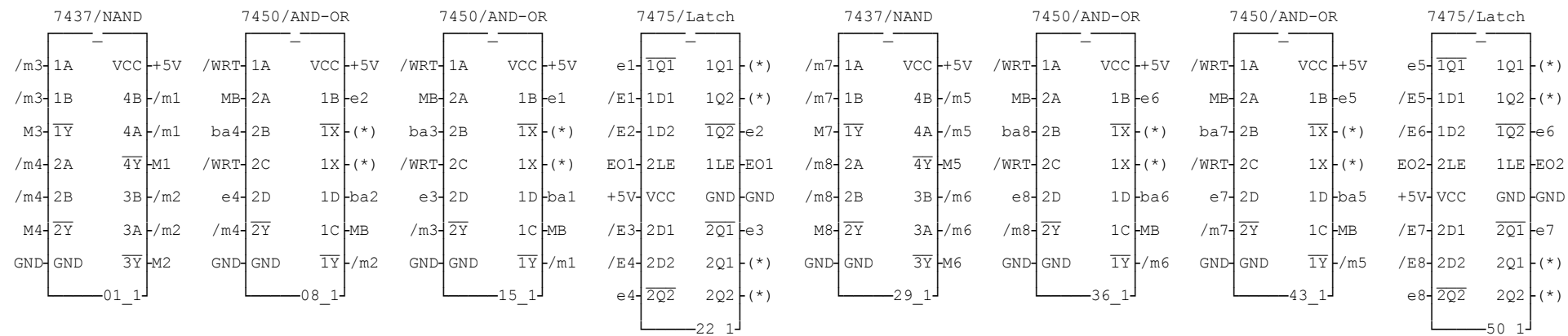


=> #1								C15								D2	D3	C16					
																C24		00 2	TCA 345A				
C1	=> #2							==M113==							C12							D1	T1
C2	37 01 1	50 08 1	50 15 1	75 22 1	37 29 1	50 36 1	50 43 1	75 50 1	75 57 1	37 64 2	04 71 0	132 78 2	132 85 2	05 92 2	00 99 2	38 106 2	C17						
C3	00 02 1	50 09 1	50 16 1	180 23 2	00 30 1	50 37 1	50 44 1	180 51 2	75 58 1	00 65 2	86 72 2	04 79 0	00 86 2	02 93 2	75 100 2	20 107 2	C18						
C4	=> #4							=> #5															
C5	H52 04 1	H52 11 1	H52 18 1	H52 25 1	H52 32 1	H52 39 1	H52 46 1	H52 53 1	151 60 1	00 67 2	00 74 2	20 81 2	08 88 2	02 95 2	H52 102 2	04 109 2	C20						
C6	=> #6							=> #7															
C7	153 05 1	100 12 1	100 26 1	153 33 1	100 40 1	100 54 1	02 61 2	10 68 2	10 75 2	30 82 2	30 89 2	40 96 2	37 103 2	37 110 2			C21						
C8	=> #8							=> #9															
C9	25 07 2	20 14 2	121 21 2	121 28 2	08 35 2	25 42 2	74 49 2	08 56 2	00 63 2	10 70 2	75 77 2	75 84 2	74 91 2	74 98 2	74 105 2	74 112 2	C23						
/	C10		==M114==		==M115==		==M116==		==M117==		==M115==		==M118==										
R31			R32		R33																		
/																							

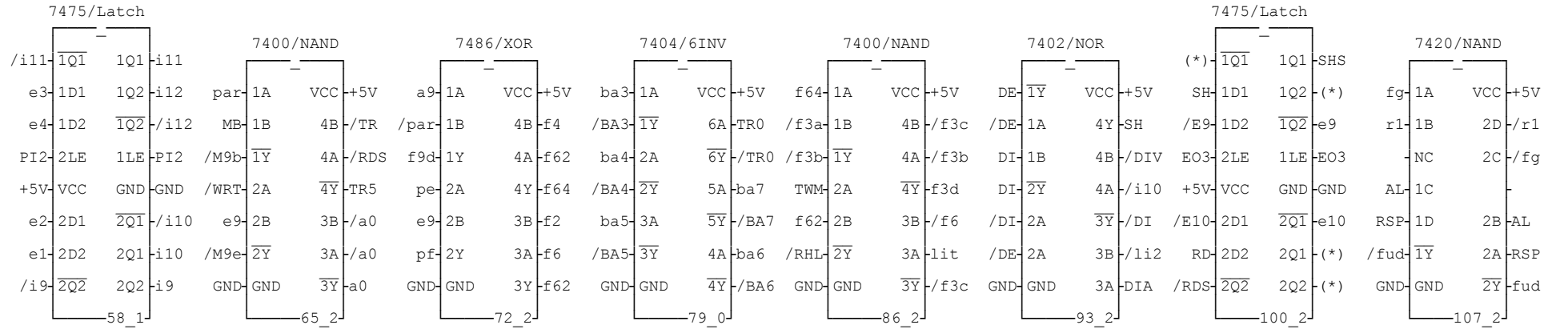
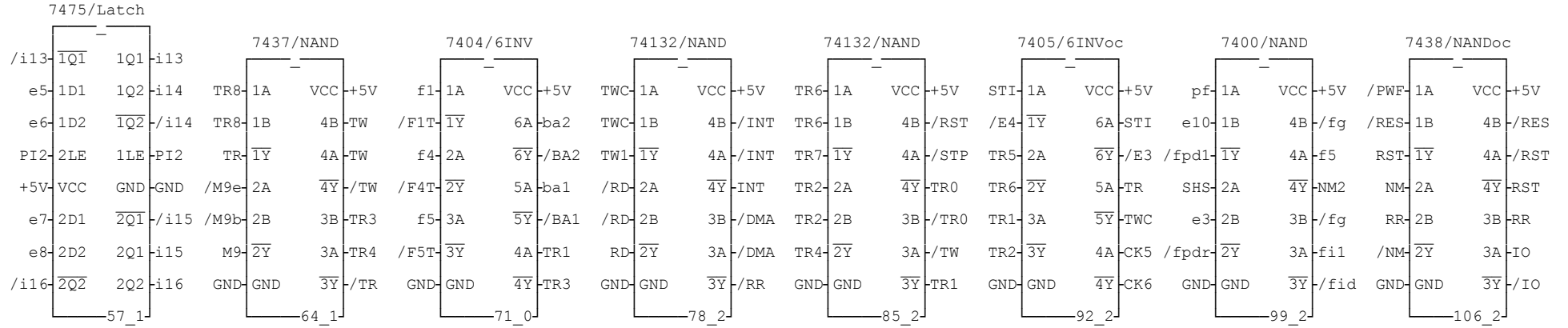
#1:



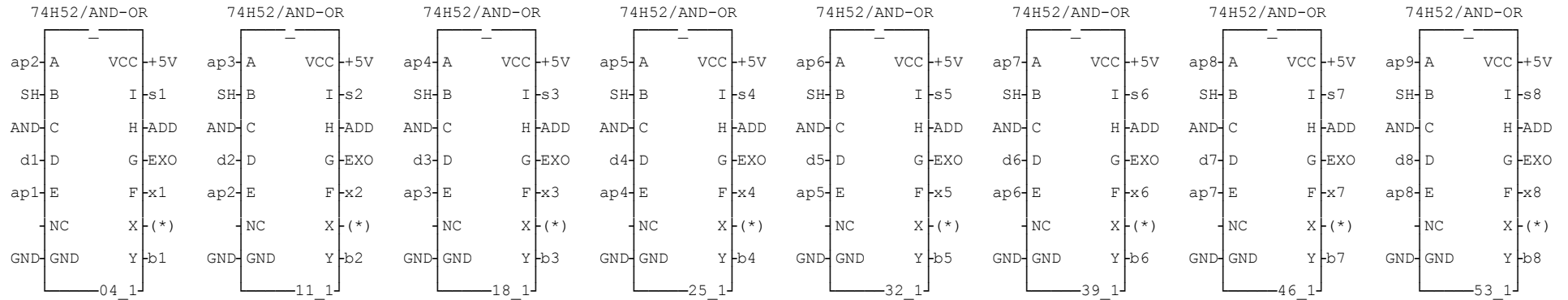
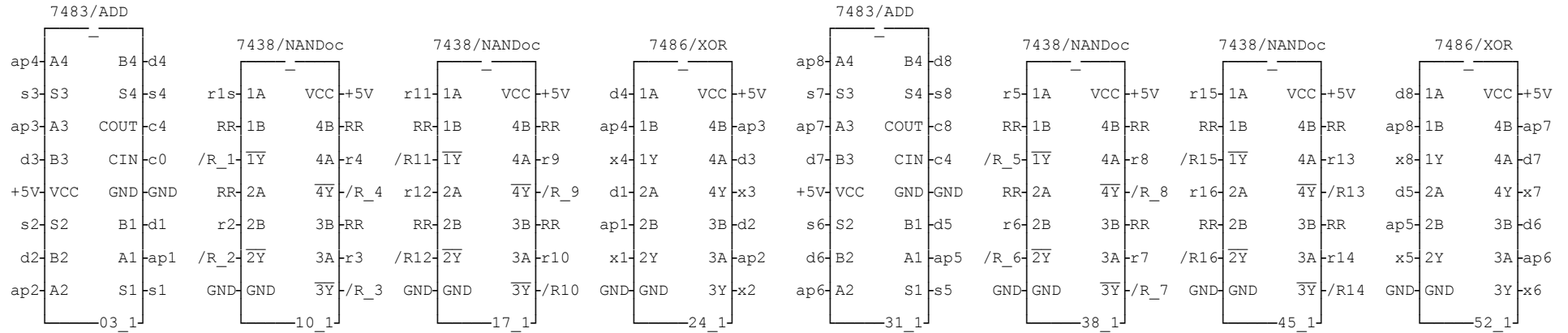
#2:



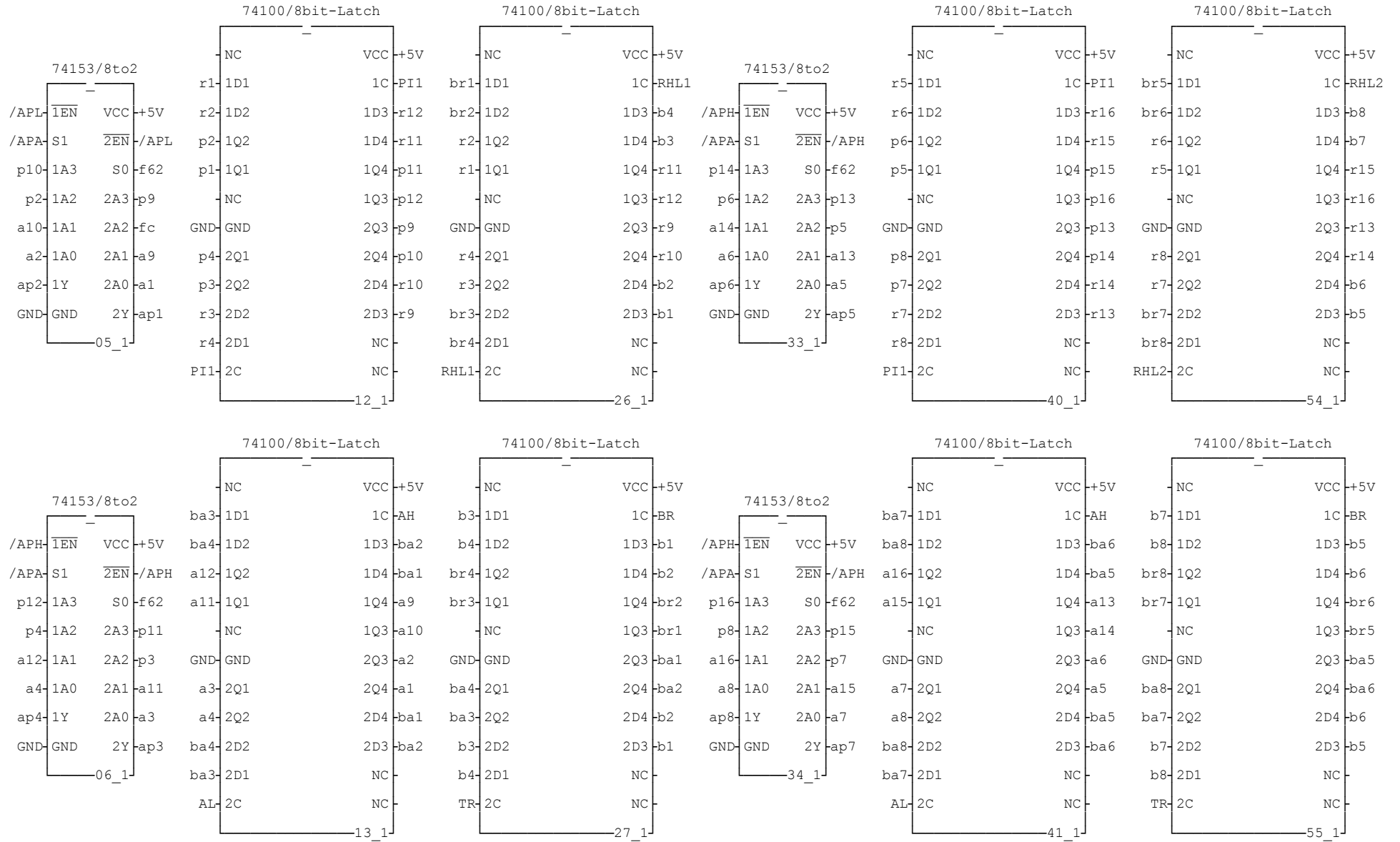
#3:



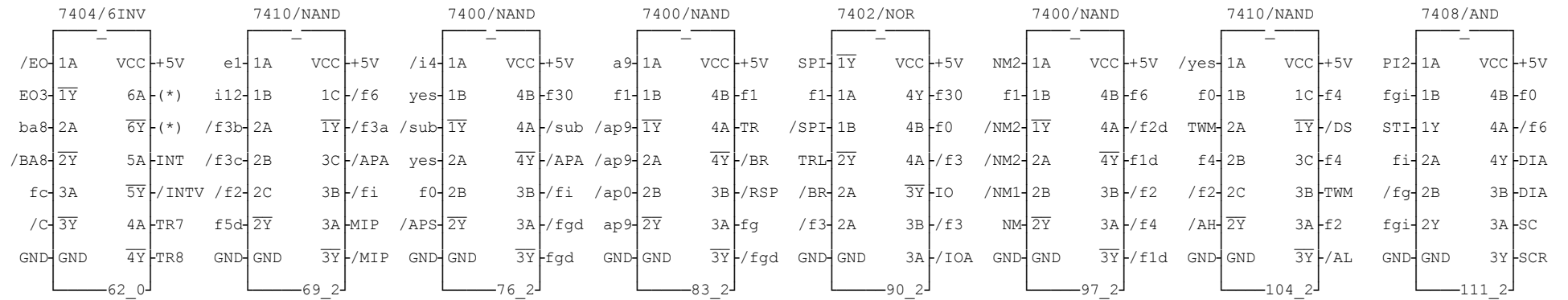
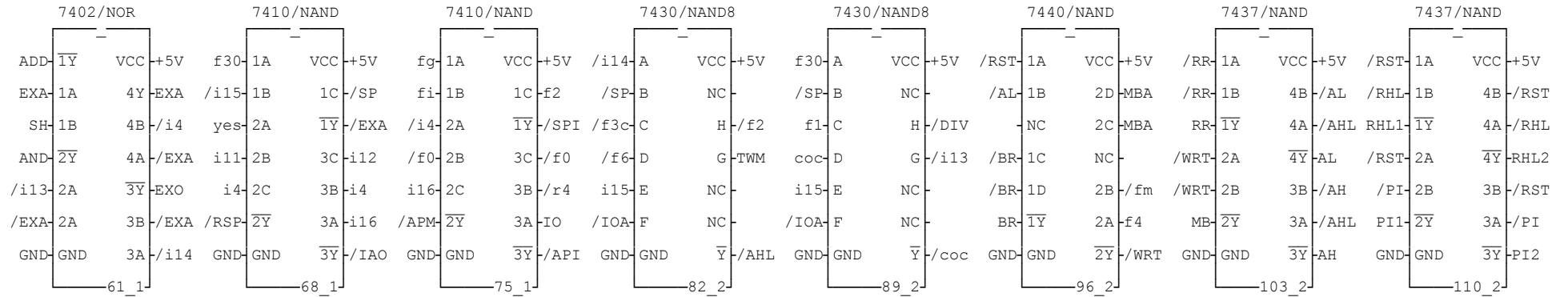
#4:



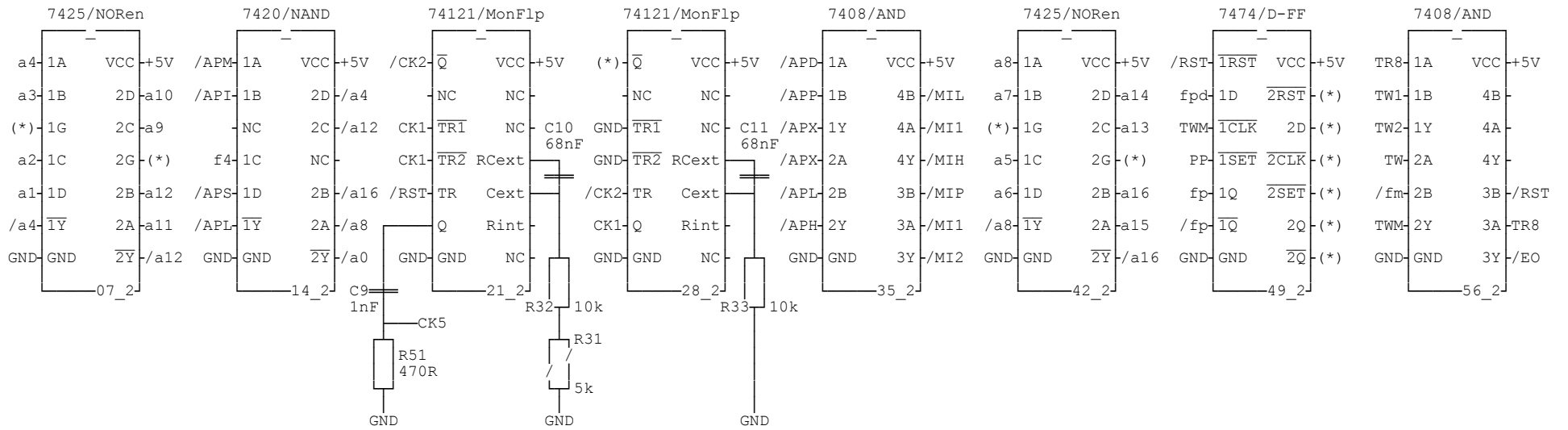
#6:



#7:



#8:



#9:

